

R7042ODI

69.25" x 41.75" x 19.5"

GENERAL SPECIFICATIONS:

Installation: Drop-In (cannot be undermounted)

Material: Acrylic

Plumbed Weight: 125 lbs / 57 kg

Soaker Weight: 100 lbs / 45 kg

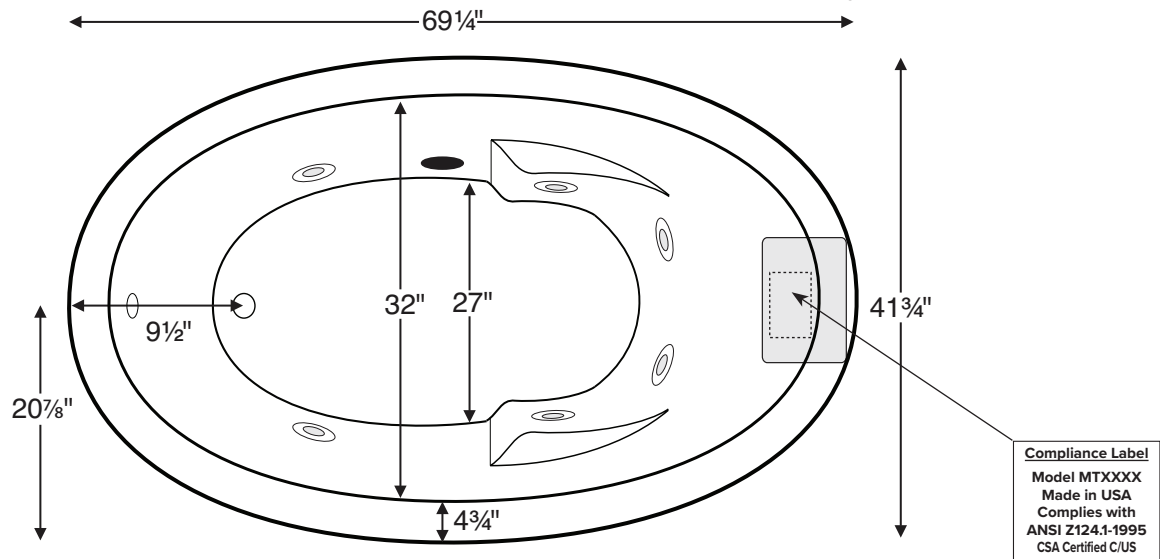
Average Fill: 45 gal to above jet level

Maximum Fill: 75 gal to overflow

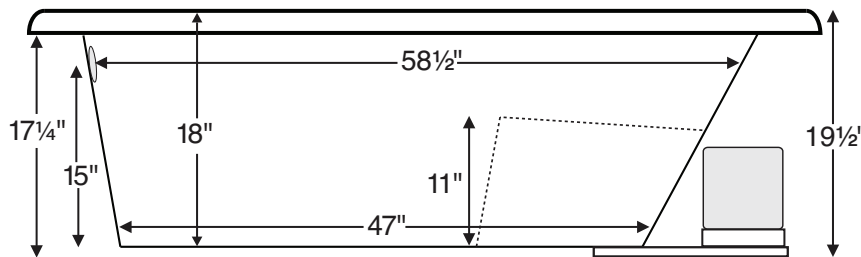
NOTE: Filling this tub to the maximum may require an above average size or dedicated water heater.



Features integral armrests.



Shown with Whirlpool Package



ELECTRICAL SPECIFICATIONS

- Required Electrical Service** - 110 Volt
- Air Bath or Whirlpool** - 1-15 amp GFCI
- Soaker** - Inline Heater - 1-15 amp GFCI
- Air Bath** - Inline Heater - 1-15 amp GFCI
- Whirlpool** - Inline Heater - 1-15 amp GFCI

CSA Certified C/US; ANSI Z124.1
CSA Certified C/US; ANSI 112.19.7

IMPORTANT ORDERING & INSTALLATION INFORMATION:

- Before ordering or installing, please consider future access to all equipment.
- Please measure tub on-site before building tub decking.
- Add bedding compound to fully level and support bottom of tub.
- Tubs equipped with an air bath or a pre-leveled foam base are designed to rest on the floor without bedding compound, provided the floor is level.
- Overall tub height is increased by approx. 2-3" when tub is equipped with any air bath package.
- Jet, pump & blower locations are predetermined and cannot be changed.
- Suction and control locations may vary.

• Before discarding tub crate, check for accessories that may be packaged inside.
 • All product measurements are ±1/2".
 • Specifications and configurations are subject to change without notice.
 • Measurements herein supersede all others published prior to publication date below.

PACKAGE	PACKAGE CONTENTS	PART #
Soaker	Soaking bath - No jets. Includes textured bottom.	R7042ODIS
Air Bath	12 air jets, heated air blower, pre-leveled foam base and textured bottom. <i>pre-leveled foam base increases overall tub height 2"-3"</i>	R7042ODIA
Whirlpool	6 point-massage jets, 1-bhp pump and textured bottom	R7042ODIW

OPTIONS <i>(must be ordered at time of purchase)</i>
Color Upgrade: Biscuit (RCOLOR)
Inline Heater For Whirlpool (RHTI) Heater with Recirculating Pump for Soaker & Air Bath (RHTISOAK)
ACCESSORIES
Lift and Turn Drain & Overflow Chrome (RWOC) Brushed Nickel (RWOBN) White (RWOW)
Pillows Soft Pillow White (RPSW) Black (RPSB) Roll-Up Pillow Light Aqua (RPRUC) Black (RPRUB)
INSTALLATION OPTIONS <i>(must be ordered at time of purchase)</i>
Pre-Leveled Foam Base (included with all airbaths) 5' Tubs (RPLFOAM) 5.5' & 6' Tubs (RPLFOAM2)